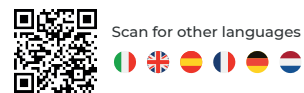




Manuale Utente / User manual

Necchi Stiratrice verticale a vapore Mod. SG5657X cod. NECCHI.3001671



www.necchi.it



power/steam switch	min level	Mid level(2 lights on at the same time)	Max level(3 lights on at the same time)
suction switch	min speed	mid speed(2 lights on at the same time)	max speed(3 lights on at the same time)
Dry ironing	water shortage alarm	self-cleaning	Long press 3s to shut down motor, short press to switch min speed, middle speed,max speed and pause the motor

self-cleaning-Press and hold the power button for 10 seconds to start up when the device is turned off. Do not stop halfway. Be aware of the risk of burns

Automatic power off: The device will automatically power off after 10 minutes of not using the steam, with the dry ironing indicator and steam indicators flashing alternately

Cautions

Before using this product, please read the user manual carefully and keep it for future reference.

DANGER

- Do not immerse this product in water or other liquids and do not rinse under the tap.
- Be careful of the hot steam generated by the garment steamer. The steam may cause burns.

Warning

- Check if the voltage indicated on the product corresponds to the local mains voltage before you connect the product to the power.
- Do not use the product if the plug, power cord or product itself has been damaged noticeably, or if the product has fallen or leaked.
- The product can only be sent to the authorized maintenance center for overhaul. Do not repair the product by yourself, otherwise the warranty will be invalid.
- If the power cord is damaged, it must be replaced by professional person in the manufacturer's maintenance department or similar department to avoid danger.
- The user shall not leave when the product is electrified.
- This product is not suitable for the children who are 8 years or older, and the people who are disabled, or mentally handicapped or those who have cognitive disorder or lack relevant experience and knowledge unless they use this product under guidance or supervision by someone to ensure them to use safely and to make them aware of the relevant hazards.
- Never allow children to play with this product.
- When the product is electrified or cooling, Please keep the product and its power cord out of reach of children under the age of 8.
- Children who are 8 years or older can clean the product only when they are under supervision.
- When using, do not touch the head of the garment steamer and hot surfaces. This product will produce high-temperature steam in the course of use, please do not aim it at people and animals, and do not iron the clothes worn on the body to avoid the risk of scalding.
- Be sure to unplug the power plug before installing cleaned product or disassembling the brush accessories or filling the tank with water.

Attention

- This product can only be used with grounded electrical outlet.
- If the product is hot/connected to the power supply, do not let the steam nozzle contact any surface when placing the product.
- Check whether the power cord is damaged regularly.
- During the operation of the garment steamer, never let the power cord contact with high temperature steam.
- Please do not use this product when the water tank is running out of water.
- When you leave the product for only a short amount of time, please turn off the power supply of the product and unplug the power plug.

- After ironing, be sure to turn off the power supply of the product and unplug the power plug, and let it cool for 60 minutes before cleaning the product, installing or disassembling accessories, emptying the water tank or storing it.
- This product is for house use only. Please do not use this product in the bathroom or outdoor.
- Please do not drag this product on the floor.
- The steam may damage some walls or doors or cause them to fade.
- According to the design, your product is suitable for running water. If the water quality in the area you live in is very hard, the scaling may be very fast. Therefore, it is suggested that distilled water should be filled into the water tank to extend the service life of the product.
- Never pour perfume, vinegar, scale remover, ironing agent or other chemicals into the water tank, because these chemicals are not suitable for this product.

Usage method/installation

Before the initial use

- Remove any labels or protective covers on the head of the garment steamer, straighten and route the electric wires before using them.
- If it is used for the first time, the garment steamer can be blown off some steam for several minutes. This will remove any impurities and odors that may be left during the manufacturing process.
- To avoid circuit overload, it is recommended not to use the same outlet circuit with other appliances.
- When you open the package of the garment steamer, check all the items and parts list you received to avoid being discarded.

Installation and usage

- Take out the water tank, add an appropriate amount of water to it, install the water tank into the machine and rotate it in place.
- Connect the device to the power socket, connect the power,short press the switch button and the machine will start preheating with a flashing red light. If the red light remains on, the machine can be used as dry ironing.
- Press the power/steam switch again and the blue light will light up (3 steam modes can be selected). Once the steam out, it is ready for steam ironing
- Press the suction switch to activate the motor.(3 suction power modes can be selected), and enter the steam ironing with suction mode.
- Long press the power/steam switch for 3 seconds to turn off
- In steam ironing mode, if the water tank is short of water or the water passage is blocked, the water shortage alarm indicator will flash and remind you to add water.
- The device will automatically power off after 10 minutes of not using the steam

Ironing

Garment steamer is very easy to use, it is suitable for ironing wrinkled / creased clothing, curtains and refreshing decorative fabrics, it can be used on most of fabrics.
Note: Garment steamer is designed for vertical hanging clothes to avoid using garment steamer when the clothes are in a horizontal position.

- Check whether it is permeable on the back of the cloth so that the steam is not to be gathered on the cloth to wet it.
- Check the pockets of the clothing to make sure there are no items in the pockets.
- Check whether there is any object that is easily damaged by steam on the back of the clothing.
- It is suggested that the garment steamer should not be used around the metal fittings of the clothing. The high-temperature steam will cause the metal accessories to fade.
- When you press the steam button, you will feel the vibration and hear the subtle buzzing sound. This is normal.
- While ironing, the steam panels are pasted on the creases of the fabric to move up and down, so that the creases can be ironed.
- If the sound of the garment steamer becomes louder and there is no steam coming out, it means that there is a shortage of water in the water tank. Please check the water level of the water tank and refill water to the water tank.
- If the steam button is released, the steam will be stopped.

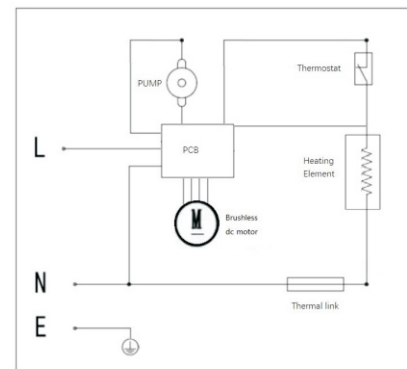
After each use

- When you stop using it, press the power switch or pull the power cord out of the outlet.
- Remove the water tank and empty the remaining water from the water tank.
- Place it on the flat desktop vertically and wait for the product to cool down.

Cleaning and maintenance

- Remove steam brush on the head of the garment steamer at first and then use wet cloth to clean.
- Please do not use rough or magic corrosion cleaners or solvents.
- Do not immerse the garment steamer into water or other liquids.
- Don't fall, throw or try to bend it. Don't try to disassemble or decompose electrical appliance.
- Empty the water tank after each use.
- Avoid storing electrical appliances in damp places.
- Do not approach the heat source or exposure the electrical apparatus to direct sunlight.
- Always ensure that the steam outlets are clean and free from scaling and are not clogged.
- It is suggested that the garment steamer should be stored vertically in flat places such as cabinet.
- Do not treat discarded electrical appliances as unclassified municipal waste, you should hand over them to an officially designated recycling center.

Circuit diagram



Specifications

Product name	VACUUM garment steamer
Model	SG5657X
Rated voltage	220- 240V~
Rated power	2100W
Rated frequency	50/ 60Hz

Do not treat discarded electrical appliances as unclassified urban waste, they should be handed over to an official designated recycling center. It is beneficial for environmental protection

Troubleshooting Guide

Issues	Reasons	Treatment method
The product does not work after being turned on	Unplugged power head	Plug in the power head
	Household circuit failure or blown fuse	Please have it inspected and repaired by professionals
No steam generated	Product circuit failure	Please have it inspected and repaired by professionals
	Preheating not complete	Once the preheating is complete and the red light is constantly on, it is ready for use
	The steam switch hasn't been fully pressed	Press the steam switch fully, and the blue light will be constantly on
	The water level in the tank is too low, or the water pump is working loudly due to a blocked waterway	Clean it thoroughly, and then fill the water tank with water
	The water tank is not properly placed, causing the water pump to operate with a loud noise	Please place the water tank correctly
Water dripping from Ironing head	The machine inverted, which prevents it from drawing water from the tank	Please place the machine horizontally.
	The internal steam passage is bent or disconnected	Please have it inspected and repaired by professionals
	Heater damaged	Please have it inspected and repaired by professionals
	Steam condensation is a normal phenomenon	It will disappear automatically after a few seconds
Water dripping from Ironing head	Heater damaged	Please have it inspected and repaired by professionals
	The heater inside has a lot of scale	Stop the machine and clean the scale inside the heater

The steam indicator flashes after switch on	Overvoltage or overheat protection	The heating will automatically resume once the power supply voltage returns to normal
Suction speed indicator flashes	The machine is overheated or the voltage is abnormal	It can be used again after the machine cools down
The motor doesn't work	The machine is overheated or the voltage is abnormal The motor or PCBA damaged	It can be used again after the machine cools down Please have it inspected and repaired by professionals
Suction weakened	The filter mesh blocked	Please clean the filter mesh

Warranty card

Notice of warranty:

This product has been strictly inspected and delivered from the factory. The warranty period is 1 years from the date of sale under the conditions of using the correct usage method and storage conditions of this instruction. During the warranty period, if it is found that the failure caused by quality problems, the warranty is guaranteed by our company or dealer. However, for the damage caused by improper use, self-assembly and irresistible force and it is not in the scope of the warranty. The maintenance fee shall be charged appropriately for the maintenance.

User name		purchasing date	
User phone		Product model	
User address			
sent date for repair	fault and maintenance record	Repair date	Signature of maintenance man